



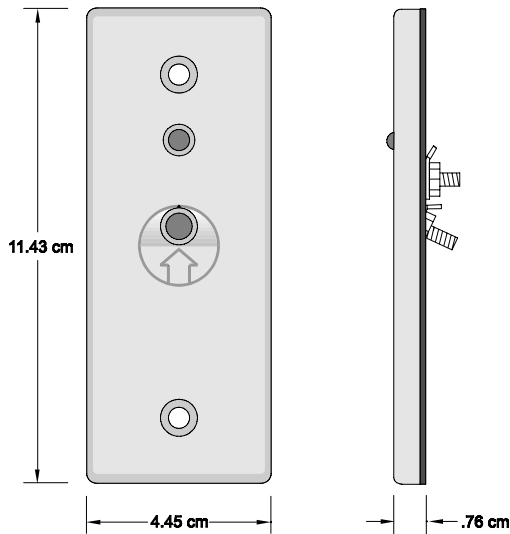
TA-1200 Series HIGH SECURITY i Button™ READER



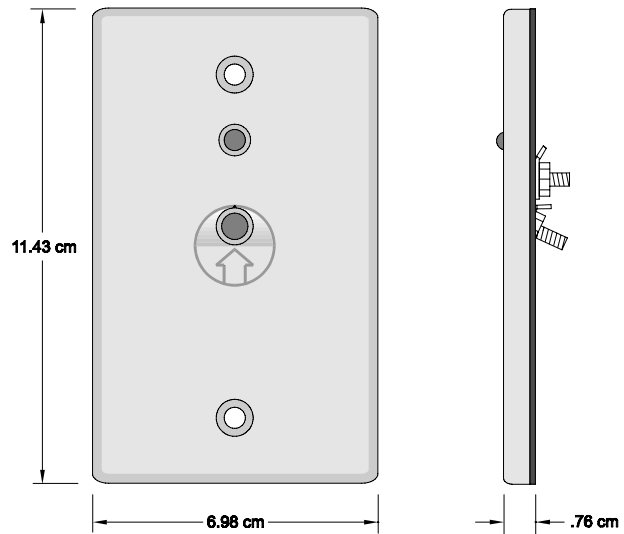
FEATURES

- Unlimited Read Life
- Vandal Resistant
- Brushed Anodized Aluminum Face
- Indoor/Outdoor Use
- Wiegand Output
- Up to 500 Feet from Control Panel
- Built-In Sonalert
- Bi-Color Status LED

HIGH SECURITY iBUTTON READERS



TA-1230 (Mullion Mount)



TA-1210 (Wall Switch Mount)

TA-1200 Series Readers are available as standard 26 bit or 37 bit proprietary Wiegand output for use on TAC's complete line of access control systems. Standard 26 Bit format can be used for connecting to other access control systems.

A Bi-Colour LED and Sonalert provide users with both visual and audible signals of access being granted or denied.

Lasting durability and reliability are provided by solid construction with a 1/4" thick brushed anodized aluminum face plate and a stainless steel read head.

iButton Access Keys

iButton Access Keys consist of a hermetically sealed stainless steel disk, mounted on an anodized aluminum key fob. An iButton Access Key is read at TA-1200 Series reader by simply touching it to the ergonomically designed read head.

Models

Description

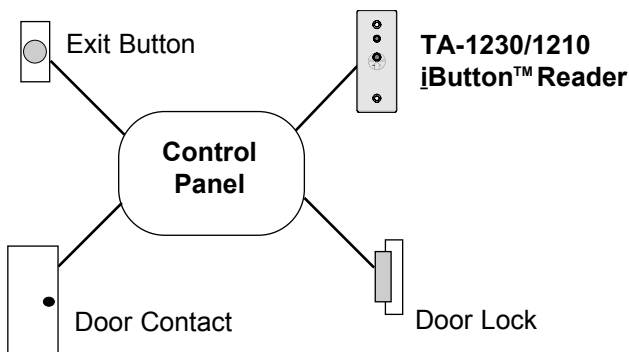
TA-1230	Mullion Mount - Wiegand Output
TA-1210	Wall Mount - Wiegand Output

Specifications

TA-1200 Series

Life of Read Head	Unlimited
Read Time	Approx. 250ms
Bi-Color LED	standard
Sonalert	standard
Operating Temp. Environment	-40°C to 70°C (-40°F to 158°F)
Supply Voltage	+12VDC
Supply Current	30mA max.
Back Box	
TA-1230	none
TA-1210	single gang electrical box
Cable Requirements	
Wiegand	22 AWG. 5 to 7 conductor, overall shield, stranded

Typical Door Configuration:



360 Carlingview Dr.
 Toronto, Ontario
 Canada, M9W 5X9
 Tel: (416) 798-0611
 Fax: (416) 798-1349
 www.kmthomas.com

Distributed by: